

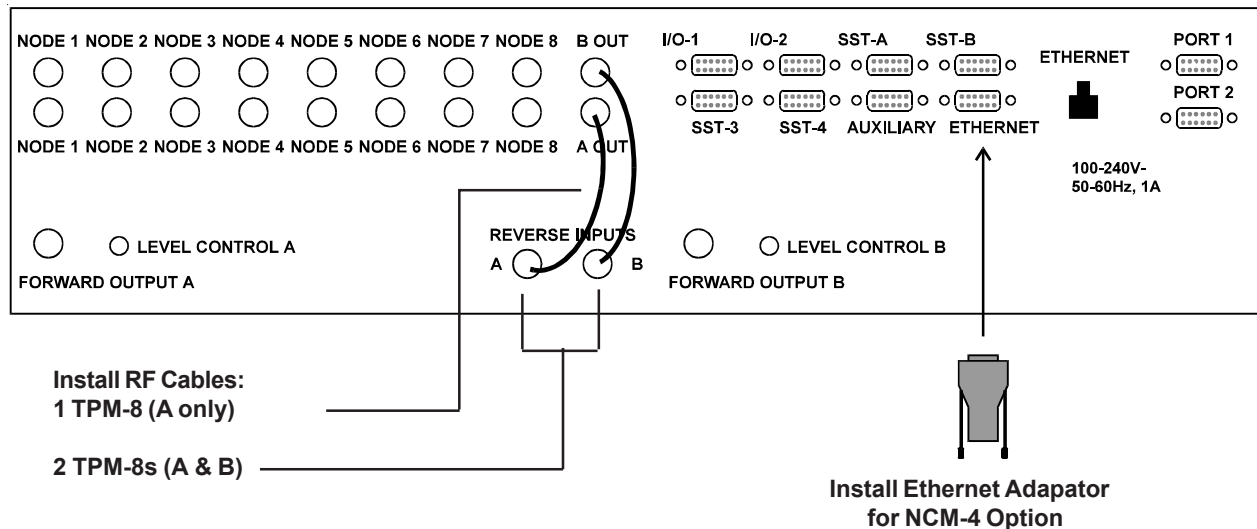
9581 SST Cable Installation Guide

If you have selected the TPM-8 or NCM-4 option for your **9581 SST** Headend unit, you will need to install the cables or ethernet adaptor for the options prior to setting up the unit. The appropriate cables or ethernet adaptor are included with the options.

NOTE: If you have not selected the TPM-8 or NCM-4 options, your unit will not have the cables.

1. Turn the 9581 so that you are viewing the REAR PANEL (see *9581 REAR PANEL* below).
2. Install the necessary cable as follows:

| <u>Option</u> | <u>Connector</u> | <u>Location</u> |
|-------------------|------------------|---|
| One TPM-8 option | RF Cable | Connect the cable between A OUT and A REVERSE INPUT |
| Two TPM-8 options | 2 RF Cables | 1. Connect one cable between A OUT and A REVERSE INPUT 2. Connect second cable between B OUT and B REVERSE INPUT |
| NCM-4 option | Ethernet Adaptor | Connect the Ethernet adaptor to the ETHERNET port |



9581 Rear Panel



9710 Park Davis Drive
Indianapolis, IN 46235
(317) 895-3600